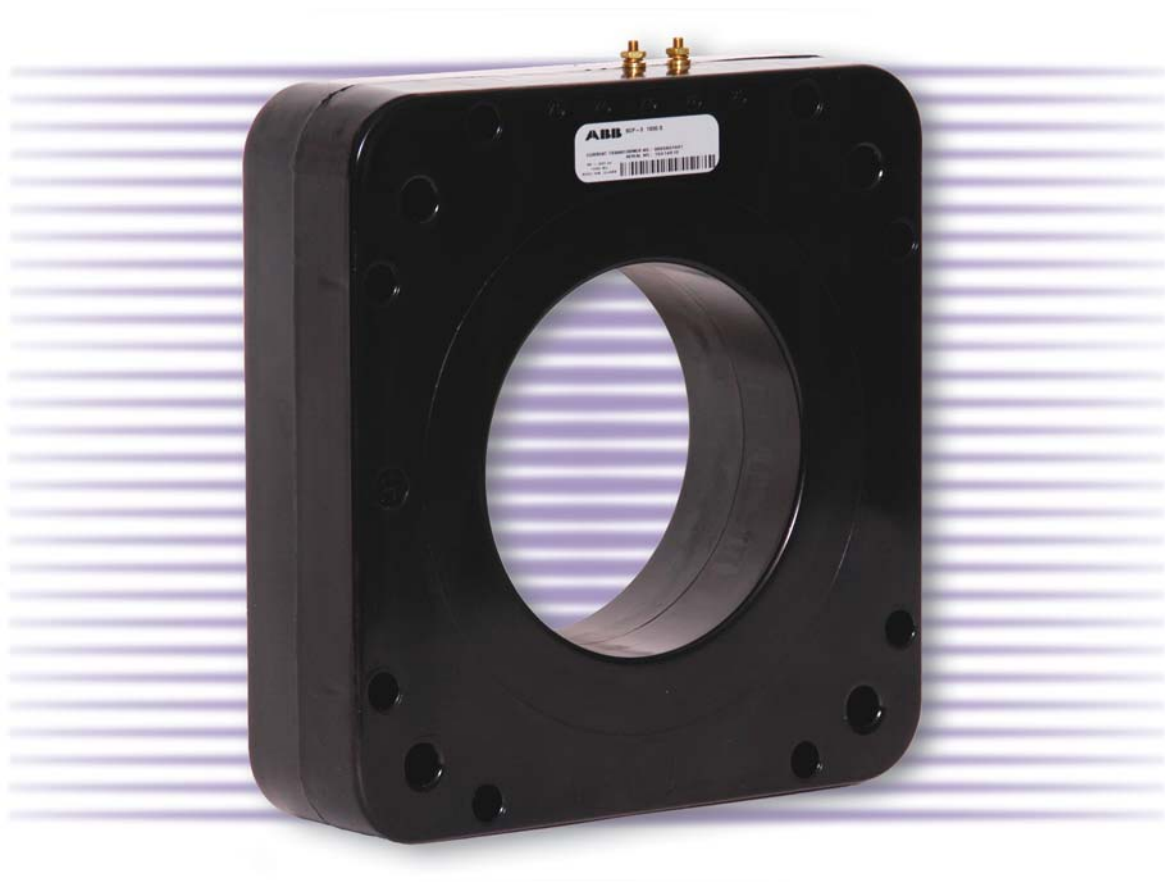


Type SCP Current Transformer

600 Volt, 10 kV BIL, Indoor

Product Bulletin 1VAP428881-DB



ABB

Product Features

- 600 Volt Indoor
- 10 kV BIL
- 25 through 400 Hertz
- Primary Amperes 50-6000
- Mechanical Rating:
180 x rated current
- Thermal Rating:
80 x rated current, one second
- Continuous Current Rating Factor:
Refer to table on page 3
- UL Recognized Component;
File No. E96461



UL Recognized Component

Application

The SCP current transformer is used as the source of current for relaying and metering. It is available in three internal window diameter sizes and dual and multi-ratio designs are available upon request.

Construction Features

The ring-type core is insulated and toroidally wound with a fully distributed secondary winding. The protective case, made of an impact-resistant polycarbonate, is assembled using self-tapping screws.

Secondary Terminals

Secondary terminals are 10-32 brass terminal studs with hardware.

Curves

Saturation, overcurrent, ratio correction factor, and phase-angle curves are available upon request.

Test Reports

IEEE test reports are stored electronically and can be e-mailed in various formats at the time of shipment.

Standards

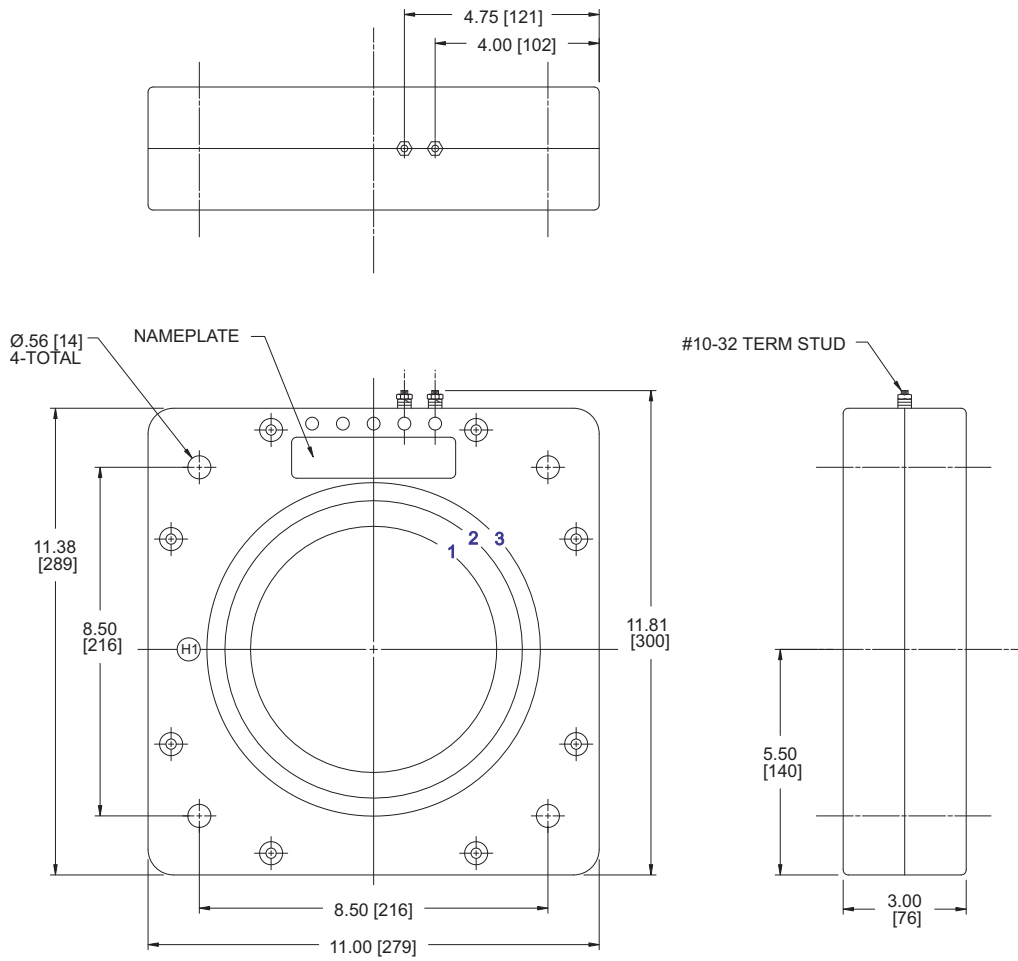
This unit meets all applicable IEEE and NEMA standards.

Selection Guide

Primary Ampere Rating	Continuous Current Rating		IEEE Metering Accuracy					IEEE Relaying Accuracy	Style Number
	30° C	55° C	B-0.1	B-0.2	B-0.5	B-0.9	B-1.8		
Type SCP-1 (6.00" window)									
50	2.0	1.5	2.4	-	-	-	-	C10	9628A03G01
75	2.0	1.5	1.2	2.4	-	-	-	C10	9628A03G02
100	2.0	1.5	1.2	1.2	2.4	-	-	C20	9628A03G03
150	2.0	1.5	0.6	0.6	1.2	2.4	-	C20	9628A03G04
200	2.0	1.5	0.6	0.6	1.2	2.4	2.4	C50	9628A03G05
300	2.0	1.5	0.3	0.3	0.6	0.6	1.2	C50	9628A03G06
400	2.0	1.5	0.3	0.3	0.3	0.6	0.6	C100	9628A03G07
600	2.0	1.5	0.3	0.3	0.3	0.3	0.6	C100	9628A03G08
800	2.0	1.5	0.3	0.3	0.3	0.3	0.3	C200	9628A03G09
1000	1.5	1.0	0.3	0.3	0.3	0.3	0.3	C200	9628A03G10
1200	1.5	1.0	0.3	0.3	0.3	0.3	0.3	C200	9628A03G11
1500	1.5	1.0	0.3	0.3	0.3	0.3	0.3	C200	9628A03G12
2000	1.33	1.0	0.3	0.3	0.3	0.3	0.3	C400	9628A03G13
2500	1.33	1.0	0.3	0.3	0.3	0.3	0.3	C400	9628A03G14
3000	1.33	1.0	0.3	0.3	0.3	0.3	0.3	C400	9628A03G15
Type SCP-2 (7.25" window)									
50	2.0	1.5	4.8	-	-	-	-	-	9628A06G01
75	2.0	1.5	2.4	2.4	-	-	-	C10	9628A06G02
100	2.0	1.5	1.2	2.4	-	-	-	C10	9628A06G03
150	2.0	1.5	1.2	1.2	2.4	-	-	C20	9628A06G04
200	2.0	1.5	0.6	0.6	1.2	2.4	2.4	C20	9628A06G05
300	2.0	1.5	0.3	0.3	0.6	1.2	2.4	C50	9628A06G06
400	2.0	1.5	0.3	0.3	0.3	0.6	1.2	C50	9628A06G07
600	2.0	1.5	0.3	0.3	0.3	0.6	0.6	C100	9628A06G08
800	2.0	1.5	0.3	0.3	0.3	0.3	0.3	C100	9628A06G09
1000	1.5	1.0	0.3	0.3	0.3	0.3	0.3	C100	9628A06G10
1200	1.5	1.0	0.3	0.3	0.3	0.3	0.3	C200	9628A06G11
1500	1.5	1.0	0.3	0.3	0.3	0.3	0.3	C200	9628A06G12
2000	1.33	1.0	0.3	0.3	0.3	0.3	0.3	C200	9628A06G13
2500	1.33	1.0	0.3	0.3	0.3	0.3	0.3	C200	9628A06G14
3000	1.33	1.0	0.3	0.3	0.3	0.3	0.3	C200	9628A06G15
4000	1.33	1.0	0.3	0.3	0.3	0.3	0.3	C200	9628A06G16
5000	1.33	1.0	0.3	0.3	0.3	0.3	0.3	C200	9628A06G17
Type SCP-3 (8.13" window)									
50	2.0	1.5	-	-	-	-	-	-	9628A07G01
100	2.0	1.5	-	-	-	-	-	-	9628A07G03
200	2.0	1.5	1.2	1.2	2.4	-	-	C10	9628A07G05
300	2.0	1.5	0.6	0.6	1.2	2.4	-	C20	9628A07G06
400	2.0	1.5	0.6	0.6	0.6	1.2	2.4	C20	9628A07G07
600	2.0	1.5	0.3	0.3	0.6	1.2	1.2	C20	9628A07G08
800	2.0	1.5	0.3	0.3	0.3	0.6	0.6	C50	9628A07G09
1000	1.5	1.0	0.3	0.3	0.3	0.3	0.6	C50	9628A07G10
1200	1.5	1.0	0.3	0.3	0.3	0.3	0.3	C100	9628A07G11
1500	1.5	1.0	0.3	0.3	0.3	0.3	0.3	C100	9628A07G12
2000	1.33	1.0	0.3	0.3	0.3	0.3	0.3	C100	9628A07G13
2500	1.33	1.0	0.3	0.3	0.3	0.3	0.3	C100	9628A07G14
3000	1.33	1.0	0.3	0.3	0.3	0.3	0.3	C100	9628A07G15
4000	1.33	1.0	0.3	0.3	0.3	0.3	0.3	C100	9628A07G16
5000	1.33	1.0	0.3	0.3	0.3	0.3	0.3	C100	9628A07G17
6000	1.33	1.0	0.3	0.3	0.3	0.3	0.3	C100	9628A07G18

Additional styles available upon request. Contact your ABB Sales Representative or call +1-252-827-3212 for more information.

Unit Dimensions



Type	Window Size		Thickness		Weight (lbs)
	(in)	(mm)	(in)	(mm)	
SCP-1	6.0	152	3.0	76	40
SCP-2	7.25	184	3.0	76	30
SCP-3	8.13	207	3.0	76	28

Note: Metric dimensions are displayed in [mm].



ABB Inc.
 3022 NC 43 North
 Pinetops, NC 27864
 Tel: +1-252-827-3212
www.abb.com/mediumvoltage