

Types VIZ-75 and VIZ-11 Voltage Transformers

8.7 and 15 kV, 75 and 110 kV BIL, Indoor

Product Bulletin 1VAP429551-DB



Product Features

- 8.7 and 15 kV Indoor
- 75 and 110 kV BIL
- 60 Hertz
- Primary Volts: 2400 - 14400
- Thermal Rating:
 - 1500 VA @ 30° C ambient
 - 1000 VA @ 55° C ambient
- IEEE Metering Accuracy at 60 Hertz:
 - 0.3 W, X, Y, Z, & 0.6 ZZ @ 120 volts
 - 0.3 W, X, M, Y, & 1.2 Z @ 69.3 volts
- UL Recognized Component; File No. E148620



UL Recognized Component

Application

The VIZ-75 and VIZ-11 indoor voltage transformers are designed for service in metalclad switchgear and are used for metering, relaying, or control power. Both units are available in single, double, and tapped secondary designs with two accuracy and thermal rating options.

Construction Features

The primary and secondary coils are wound using special winding and shielding techniques for improved voltage stress distribution. The coils are designed to withstand continuous operation at either 1.1 or 1.25 times the line-to-line voltage level for Z burden units and the line-to-ground voltage level for Y burden units. For some line-to-ground voltage units, a short-time withstand voltage of 1.9 is available upon request.

Each coil is insulated with mylar film to provide a high dielectric strength between layers. The coils and core are combined to create a complete winding structure that is assembled to a support frame. The entire assembly is vacuum cast in polyurethane for added insulation and protection.

Fuse Classifications

These units are provided with three fuse classifications: mounted fuse with hardware, unfused with hardware, or unfused without hardware. Optional fuse kits are offered to convert some unfused styles to fused styles.

Consult your ABB Sales Representative concerning overvoltage conditions for designs above the standard rated voltage factor of 1.25.

Baseplate

The baseplate is constructed of corrosion-resistant aluminum and is secured to the encapsulated base support.

Mounting

The VIZ-75 and VIZ-11 can be mounted in upright, cantilever, or upside-down positions.

Curves

Type curves are available upon request.

Test Reports

IEEE test reports are stored electronically and can be e-mailed in various formats at the time of shipment.

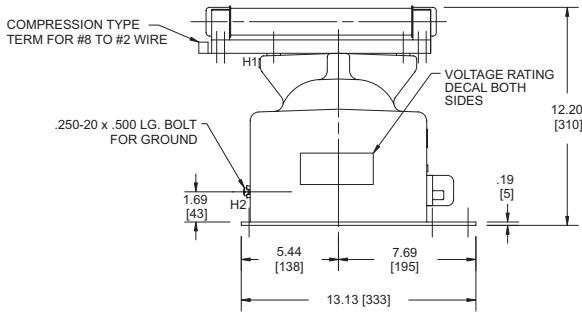
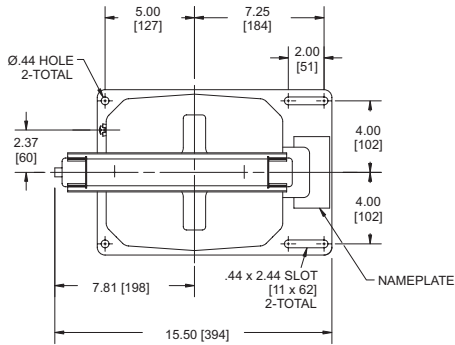
Standards

These units meet all applicable IEEE and NEMA standards and are UL Recognized Components.

Units pictured on front cover, left to right: line-to-ground fused and line-to-line fused

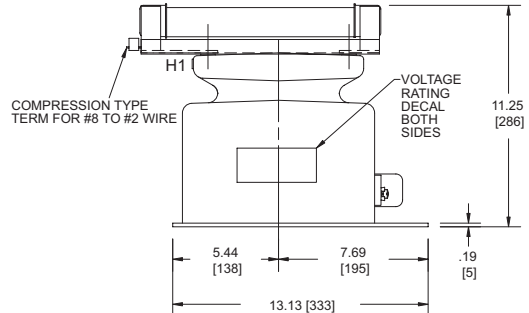
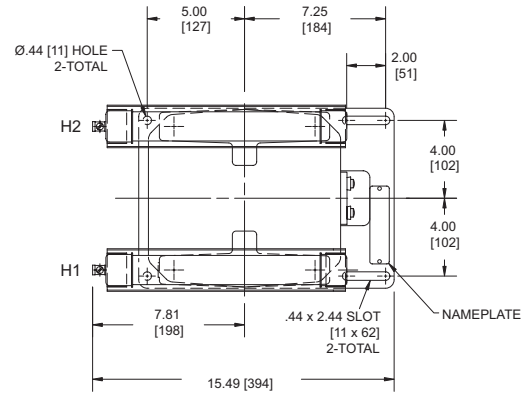
Types VIZ-75 and VIZ-11 Unit Dimensions

Fused (one fuse)



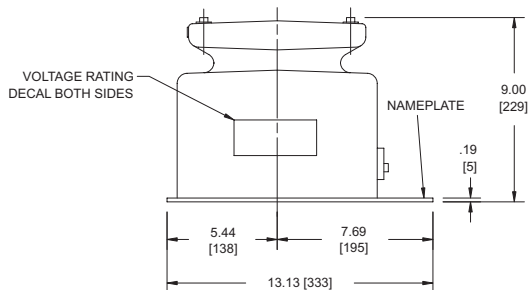
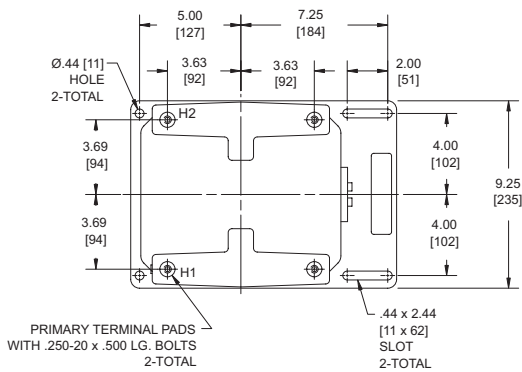
Approximate weight is 67 lbs.

Fused (two fuses)



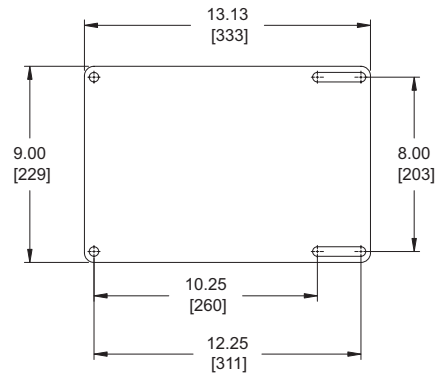
Approximate weight is 69 lbs.

Unfused



Approximate weight is 65 lbs.

Baseplate Dimensions



Note: Metric dimensions are displayed in [mm].

Selection Guide for Line-to-Line Units

Primary Voltage	Secondary Voltage	Winding Ratio	Rated Voltage Factor	Frequency (Hz)	Style Number		
					Unfused with no provision for fuse mounting	Two Fuses	Unfused with provision for fuse mounting
VIZ-75 (Line-to-Line)							
2400/4160Y	120	20:1	1.1	60	7525A66G01	7525A67G01	7525A70G01
4200/7280Y	120	35:1	1.1	60	7525A66G02	7525A67G02	7525A70G02
4800/8320Y	120	40:1	1.1	60	7525A66G03	7525A67G03	7525A70G03
7200/7200Y	120	60:1	1.1	50	-	7525A67G18	7525A70G18
7200/7200Y	120	60:1	1.1	60	7525A66G04	7525A67G04	7525A70G04
VIZ-11 (Line-to-Line)							
2400/4160Y	120	20:1	1.1	60	-	7525A67G17	7525A70G17
7200/12470Y	120	60:1	1.1	60	7525A66G05	7525A67G05	7525A70G05
7620/13200Y	120	63.5:1	1.1	60	7525A66G06	7525A67G06	7525A70G06
8400/14560Y	120	70:1	1.1	60	7525A66G07	7525A67G07	7525A70G07
10000/10000Y	120	83.33:1	1.1	60	-	7525A67G35	7525A70G28
11000/11000Y	110	100:1	1.1	50	-	7525A67G11	-
12000/12000Y	120	100:1	1.1	50	7525A66G13	7525A67G15	7525A70G15
12000/12000Y	120	100:1	1.1	60	7525A66G08	7525A67G08	7525A70G08
12470/12470Y	120	103.9:1	1.1	60	7525A66G15	7525A67G38	7525A70G27
13200/13200Y	120	110:1	1.1	60	7525A66G09	7525A67G09	7525A70G09
13800/13800Y	120	115:1	1.1	60	-	7525A67G43	7525A70G37
13800/13800Y	115	120:1	1.1	60	7525A66G11	7525A67G58	-
14400/14400Y	120	120:1	1.1	50	-	7525A67G34	7525A70G14
14400/14400Y	120	120:1	1.1	60	7525A66G10	7525A67G10	7525A70G10

Additional styles available upon request. Contact your ABB Sales Representative or call +1-252-827-3212 for more information.

Optional Accessories for Line-to-Line Units

Fuse kits to convert unfused VIZ-75 or VIZ-11 to fused style:

- Fuse kit (two fuses and hardware) 7527A98G01

Selection Guide for Line-to-Ground Units

Primary Voltage	Secondary Voltage	Winding Ratio	Rated Voltage Factor	Frequency (Hz)	Style Number	
					One Fuse	Switchgear
VIZ-75 (Line-to-Ground)						
2400/4160GY	120	20:1	1.1	60	7525A68G01	7525A71G01
4200/7280GY	120	35:1	1.1	50	7525A68G26	-
4200/7280GY	120	35:1	1.1	60	7525A68G02	7525A71G02
4800/8320GY	120	40:1	1.1	60	7525A68G03	7525A71G03
7200/7200GY	120	60:1	1.1	50	7525A68G34	-
7200/7200GY	120	60:1	1.1	60	7525A68G04	7525A71G04
VIZ-11 (Line-to-Ground)						
2400/4160GY	120	20:1	1.1	60	7525A68G55	-
4200/7280GY	120	35:1	1.1	60	7525A68G31	-
7200/12470GY	120	60:1	1.1	50	7525A68G63	7525A71G12
7200/12470GY	120	60:1	1.1	60	7525A68G05	7525A71G05
7620/13200GY	120	63.5:1	1.1	60	7525A68G06	7525A71G06
7620/13200GY	208.75	63.5:1	1.1	60	7525A68G50	-
8400/14560GY	120	70:1	1.1	50	7525A68G15	7525A71G18
8400/14560GY	120	70:1	1.1	60	7525A68G07	7525A71G07
10000/10000GY	120	83.33:1	1.1	50	7525A68G37	-
10000/10000GY	120	83.33:1	1.1	60	7525A68G36	-
11000/11000GY	120	91.67:1	1.1	50	7525A68G42	-
12000/12000GY	120	100:1	1.1	50	7525A68G17	7525A71G13
12000/12000GY	120	100:1	1.1	60	7525A68G08	7525A71G08
13200/13200GY	120	110:1	1.1	60	7525A68G09	7525A71G09
13800/13800GY	120	115:1	1.1	60	7525A68G61	-
13800/13800GY	115	120:1	1.1	60	7525A68G44	-
14400/14400GY	120	120:1	1.1	50	7525A68G14	7525A71G15
14400/14400GY	120	120:1	1.1	60	7525A68G10	7525A71G10
15000/15000GY	120	125:1	1.1	60	7525A68G21	-

Additional styles available upon request. Contact your ABB Sales Representative or call +1-252-827-3212 for more information.

Optional Accessories for Line-to-Ground Units

Fuse kits to convert unfused VIZ-75 or VIZ-11 to fused style:

- Fuse kit (one fuse and hardware) 7527A98G02



ABB Inc.
3022 NC 43 North
Pinetops, NC 27864
Tel: +1-252-827-3212
www.abb.com/mediumvoltage