



## Type KOR-15C Current Transformer

*Medium Voltage Instrument Transformer*

25.0 kV Outdoor, 150 kV BIL

60/50 Hertz

### **Application**

Type KOR-15C current transformers are designed for metering and relaying applications on outdoor 25 kV circuits.

### **Construction Features**

Primary and secondary windings are positioned around a ring core, shielded and assembled to a support frame.

The core and coil assembly is cast in polyurethane under a vacuum. The ABB formulation, developed specifically for instrument transformers, combines the superior arc track, ozone and ultraviolet resistive properties with physical strength and flexibility.

Primary terminals are electro-tin-plated copper.

Secondary terminals are clamp-type and are sized for #14 through #1 wire. Terminal screws are slotted head type.

The base is constructed of "marine environment resistant" aluminum.

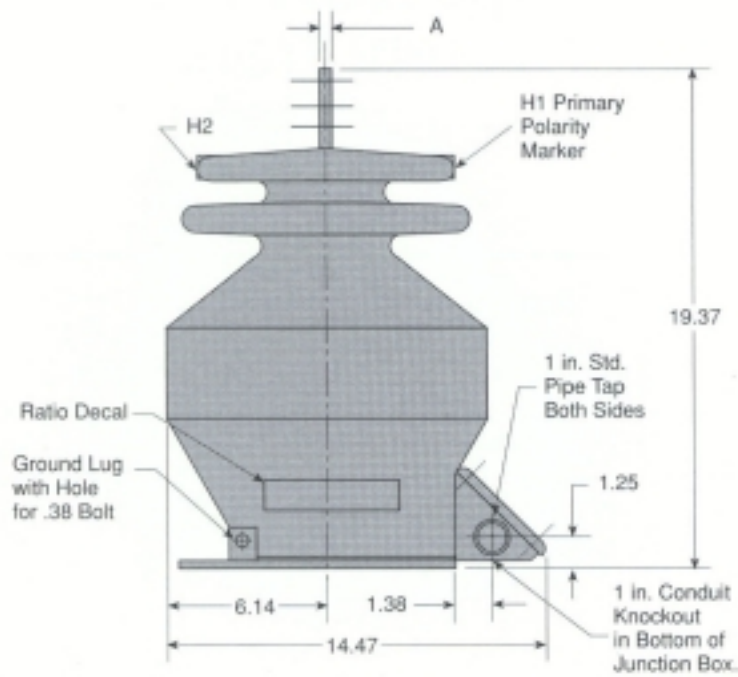
Electrical Clearances:

- Strike 18.00 inches
- Creep 26.88 inches

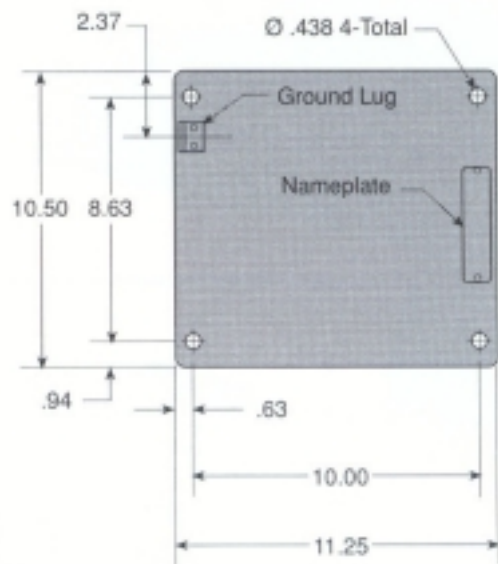
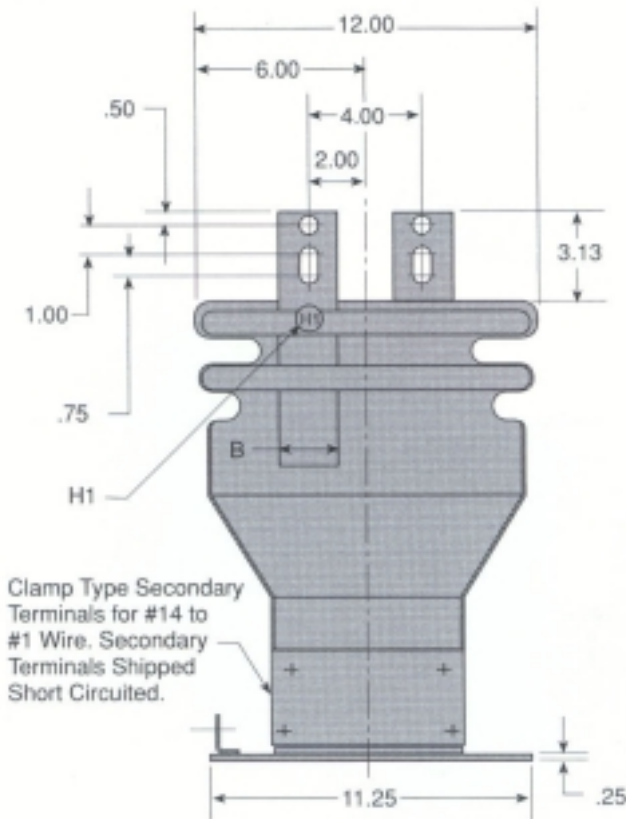
**Selector Guide**

Style Number	Primary Ampere Rating	Rating Factor 30°C	ANSI Metering Accuracy	ANSI Relaying Accuracy Class	Thermal Rating (x Normal, 1 sec.)	Mechanical Rating
<b>Single Ratio</b>						
923A185G01	5	3.0	0.3 B0.1 through B0.9 All Ratings	C 100 All Ratings	100 All Ratings	290 All Ratings
923A185G02	10	3.0				
923A185G03	15	3.0				
923A185G04	20	3.0				
923A185G05	25	3.0				
923A185G06	30	3.0				
923A185G07	40	3.0				
923A185G08	50	3.0				
923A185G09	75	3.0				
923A185G10	100	3.0				
923A185G11	150	3.0				
923A185G12	200	3.0				
923A185G13	300	3.0				
923A185G14	400	3.0				
923A185G15	500	2.0				
923A185G16	600	2.0				
923A185G17	800	1.5				
923A185G18	1200	1.0				
<b>Double Ratio</b>						
923A186G01	5/10	3.0/1.5	0.3 B0.1 through B0.9 Tap 0.3 B0.1 through B1.8 Full All Ratings	C 100 Tap C 200 Full All Ratings	100 All Ratings	290 Tap 145 Full All Ratings
923A186G02	10/20	3.0/1.5				
923A186G03	20/40	3.0/1.5				
923A186G04	25/50	3.0/1.5				
923A186G05	50/100	3.0/1.5				
923A186G06	75/150	3.0/1.5				
923A186G07	100/200	3.0/1.5				
923A186G08	150/300	3.0/1.5				
923A186G09	200/400	3.0/1.5				
923A186G10	300/600	3.0/1.5				
923A186G11	400/800	3.0/1.5				
923A186G12	600/1200	2.0/1.0				

**Dimensions**



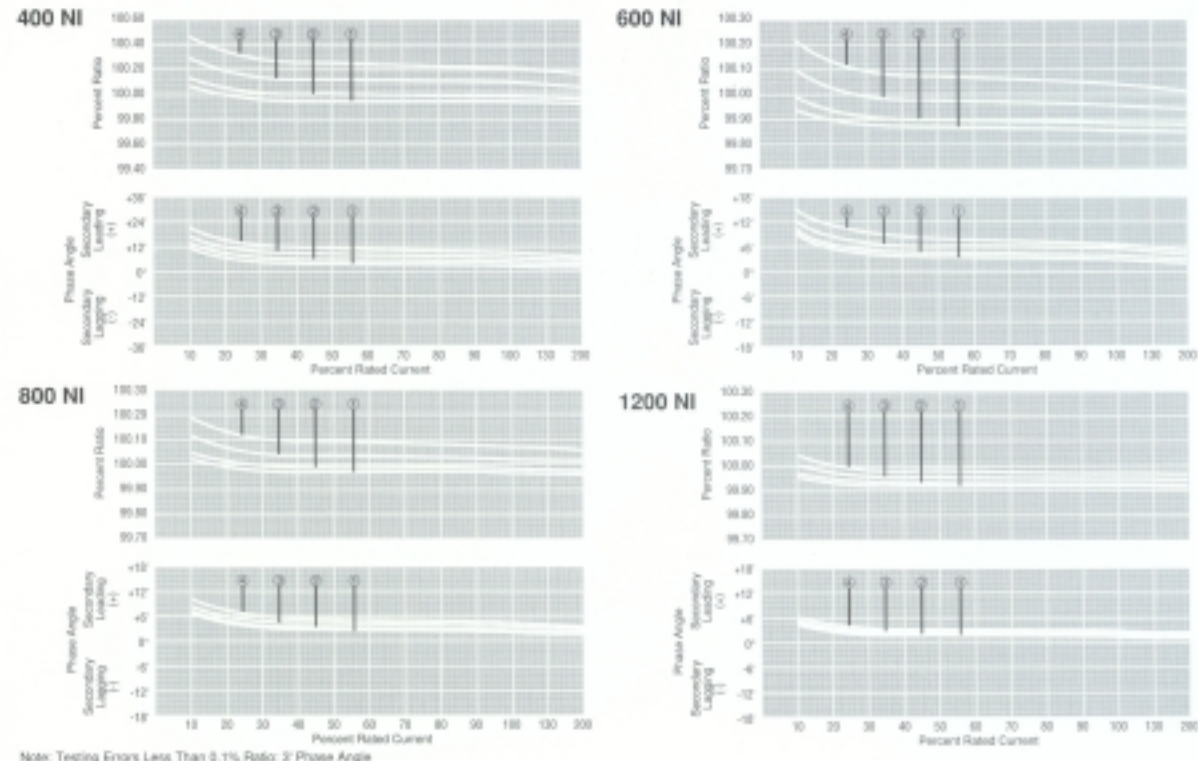
Ampere Rating	Diam. (inches) A	Diam. (inches) B	Weight lbs.
10/5-100/5	.25	1.5	90
200/5-1200/5	.38	2.0	95



**Curves**

B0.1:0.1 Ohm, 90% PF, 60 Hertz, 2.5 VA  
B0.2:0.2 Ohm, 90% PF, 60 Hertz, 5.0 VA

B0.5:0.5 Ohm, 90% PF, 60 Hertz, 12.5 VA  
B0.9:0.9 Ohm, 90% PF, 60 Hertz, 22.5 VA



Note: Testing Errors Less Than 0.1% Ratio; 2° Phase Angle



**ABB Power Distribution**  
655 Century Point  
Lake Mary, FL 32476  
Tel: + 1-800-929-7947  
Fax: + 1-407-732-2132  
www.abb.com/distribution