



## Types VOZ-75 & VOZ-11 Voltage Transformers

*Medium Voltage Instrument Transformer*

2400-14400 Volts Outdoor

60 Hertz

Type VOZ-75—75 kV BIL

Type VOZ-11—110 kV BIL

### **Application**

Type VOZ voltage transformers are designed for outdoor metering and relaying applications. Completely cast in ABB polyurethane, they provide a durable and maintenance-free design for outdoor service.

### **Construction Features**

The primary and secondary coils are wound using special winding and shielding techniques for improved voltage stress distribution. Each coil is carefully insulated with Mylar film to provide a high dielectric medium between layers. The completed winding structure and double loop Wescors are assembled to a support frame.

The entire core and coil assembly is cast in polyurethane under a vacuum. The ABB polyurethane formulation, developed specifically for instrument transformers, combines superior arc track, ozone and ultra violet resistive properties with physical strength and flexibility.

Primary terminals of electro-tin plated copper accommodate #10 to 250 MCM conductors.

Secondary terminals are clamp-type and are sized for #14 through #3 wire. A ground terminal is also provided for grounding the secondary circuit at the transformer.

The molded, glass filled polypropylene junction box has a one-inch conduit hub on either end and a knock out for a one-inch conduit fitting on the bottom. The box is anchored to the body of the transformer with screws and can easily be detached, simplifying installation and change out procedures.

The base is constructed of "marine environment resistant" aluminum. Four .357 screws secure the base to the core and coil support frame.

Type VOZ transformers are designed for mounting on poles or substation structures, with high voltage bushings in either vertical or horizontal position. When mounted with high voltage bushings in a horizontal plane it is recommended that this plane be parallel to the ground and not one bushing above the other. This precaution prevents formation of ice and snow which might cause flashover between bushings.

## Selector Guide

Style Number	Primary Voltage	Winding Ratio
<b>VOZ-75</b>		
7525A89G01	2400/4160Y	20.0:1
7525A89G02	4200/7280Y	35.0:1
7525A89G03	4800/8320Y	40.0:1
7525A89G04	7200/7200Y	60.0:1
<b>VOZ-11</b>		
7525A89G05	7200/12470Y	60.0:1
7525A89G06	7620/13200Y	63.5:1
7525A89G07	8400/14560Y	70.0:1
7525A89G08	12000/12000Y	100.0:1
7525A89G09	13200/13200Y	110.0:1
7525A89G10	14400/14400Y	120.0:1

### Ratings

- ANSI metering accuracy class (60 Hertz):
  - ⇒ 0.3 W, X, M, Y, Z and 0.6ZZ burdens at 120.0 volts
  - ⇒ 0.3 W, X, M, Y and 1.2Z burdens at 69.3 volts
- 1500 VA thermal at 30°C ambient

**Dimensions**

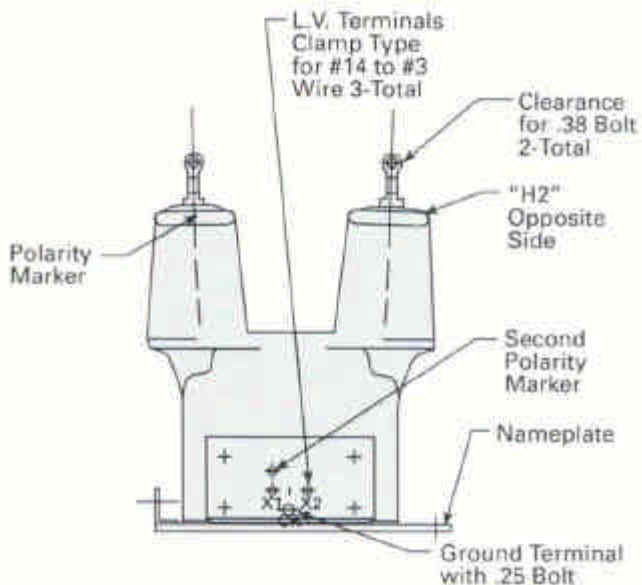
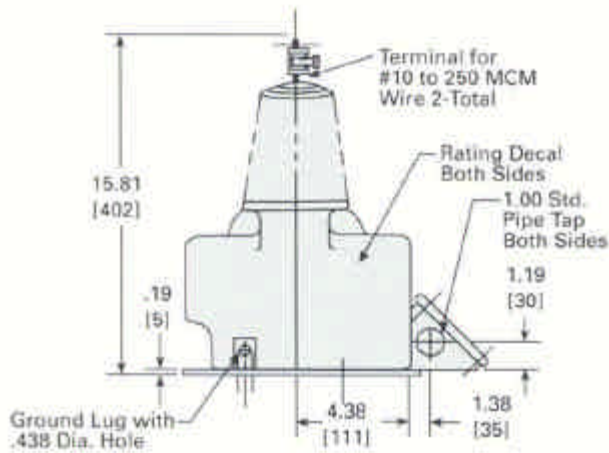
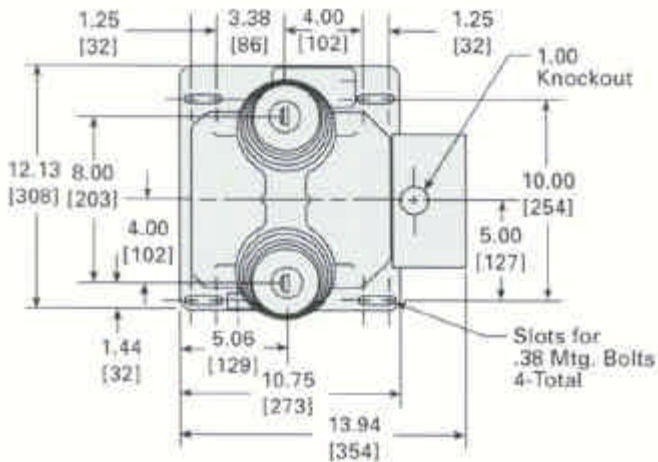


Figure 1—Vertical mounting with mounting brackets and hangers. Order as separate items mounting brackets style no. 463C035G02 and hangers style no. 261A233G01.

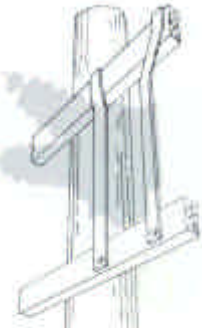


Figure 3—Horizontal mounting with hangers. Order as separate item hangers style no. 261A233G01.

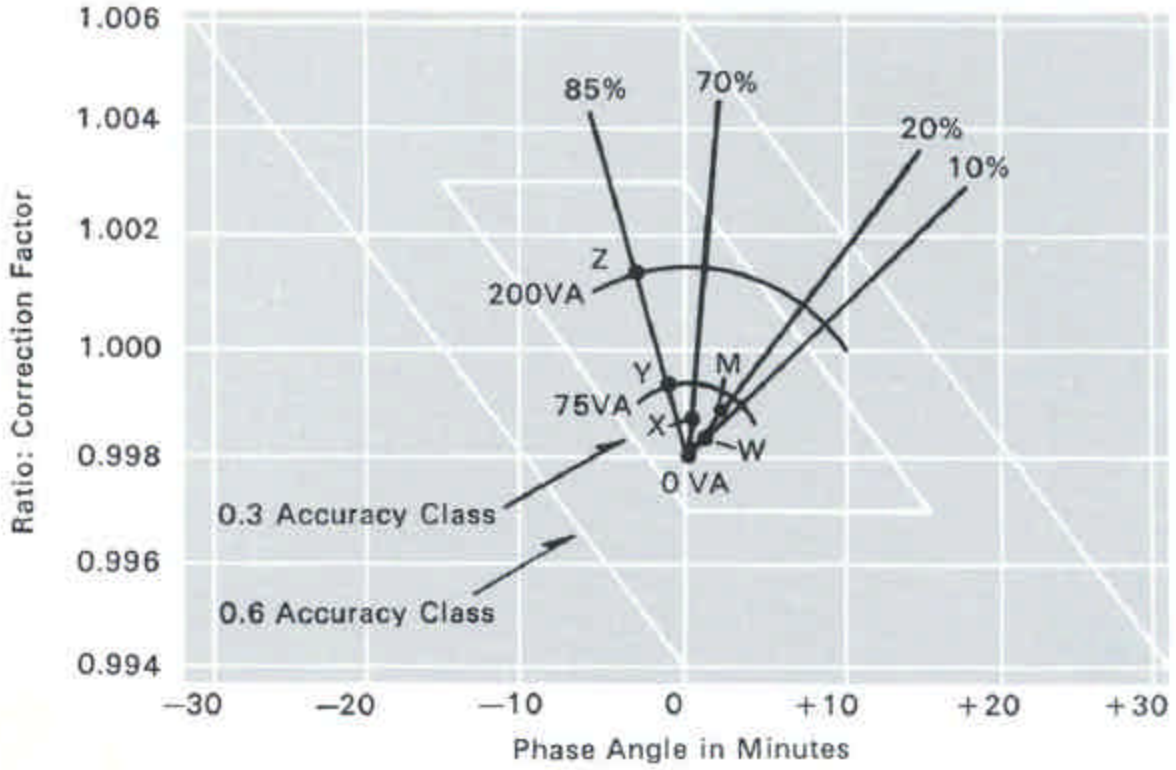


Figure 2—Vertical mounting with mounting brackets and back-up plates. Order as separate items mounting brackets style no. 463C035G02 and back-up plates style no. 26D2876G01.



Figure 4—Vertical mounting with channel brackets for tandem mounting of voltage and current transformers. Order as separate item channel bracket style no. 332B955G02.

### Curves



**ABB Power Distribution**  
655 Century Point  
Lake Mary, FL 32476  
Tel: + 1-800-929-7947  
Fax: + 1-407-732-2132  
[www.abb.com/distribution](http://www.abb.com/distribution)