



Type VOY-12 Voltage Transformer

Medium Voltage Instrument Transformer
24 kV Outdoor, 125 kV BIL
60 Hertz

Application

The Type VOY-12 voltage transformer is designed for outdoor metering and relaying applications. Completely cast in ABB polyurethane, it provides a durable and maintenance-free design for outdoor service.

Construction Features

The primary and secondary coils are wound using special winding and shielding techniques for improved voltage stress distribution. Each coil is carefully insulated with Mylar film to provide a high dielectric medium between layers. The completed winding structure and double loop Wescors are assembled to a support frame.

The entire core and coil assembly is cast in polyurethane under a vacuum. The ABB polyurethane formulation, developed specifically for instrument transformers, combines superior arc track, ozone and ultra violet resistive properties with physical strength and flexibility.

Primary terminals of electro-tin plated copper accommodate #10 to 250 MCM conductors. Secondary terminals are clamp-type and are sized for #14 through #3 wire. A ground terminal is also provided for grounding the secondary circuit at the transformer.

The molded, glass filled polypropylene junction box has a one-inch conduit hub on either end and a knock out for a one inch conduit fitting on the bottom. The box is anchored to the body of the transformer with screws, and can easily be detached, simplifying installation and change out procedures.

The base is constructed of "marine environment resistant" aluminum. After a zinc chromate plating, the base is given a finish of light gray alkyl enamel paint. Four .375 screws secure the base to the core and coil support frame.

For vertical mounting with mounting brackets and back-up plates, order as separate items (mounting brackets style no. 463C035G02 and back-up plates style no. 28D2876G01).

For vertical mounting with mounting brackets and hangers, order as separate items (mounting brackets style no. 463C035G02 and hangers style no. 261A233G01).

For vertical mounting with channel brackets for tandem mounting of voltage and current transformers, order as separate item (channel bracket style no. 332B955G02).

For horizontal mounting with hangers, order as separate item hangers (style no. 261A233G01).

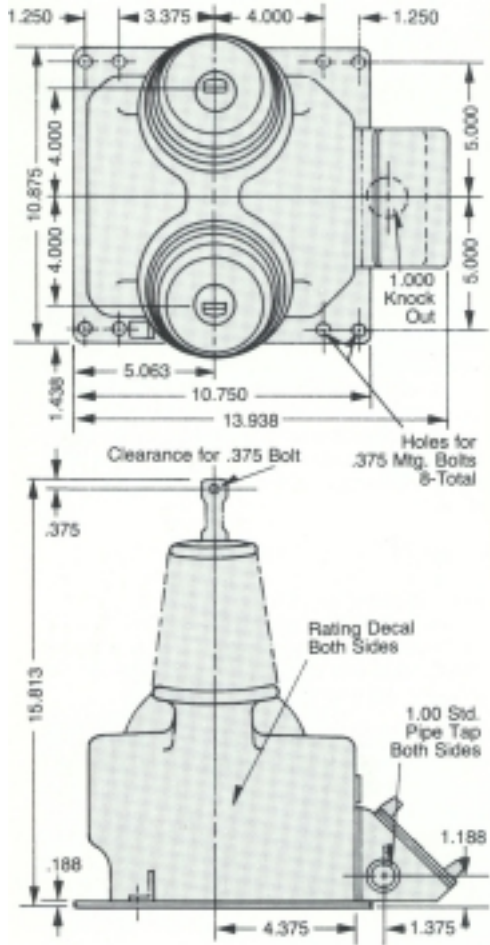
Selector Guide

Style Number	Primary Voltage	Winding Ratio
7525A87G01	12000/20780Y	100:1
7525A87G02	14400/24940Y	120:1
7525A87G03	18000/18000Y	150:1
7525A87G04	24000/24000Y	200:1

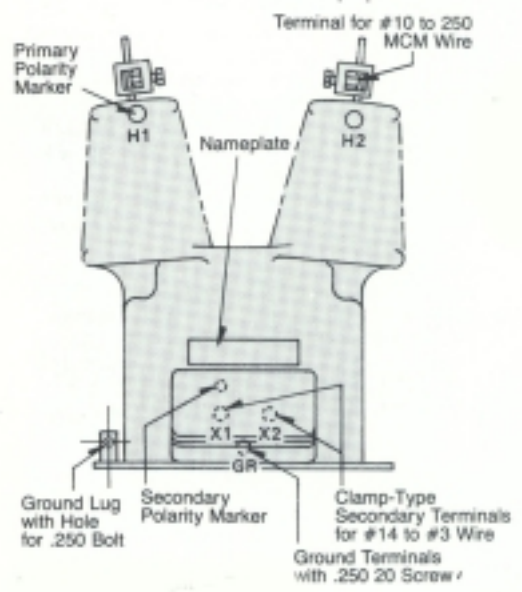
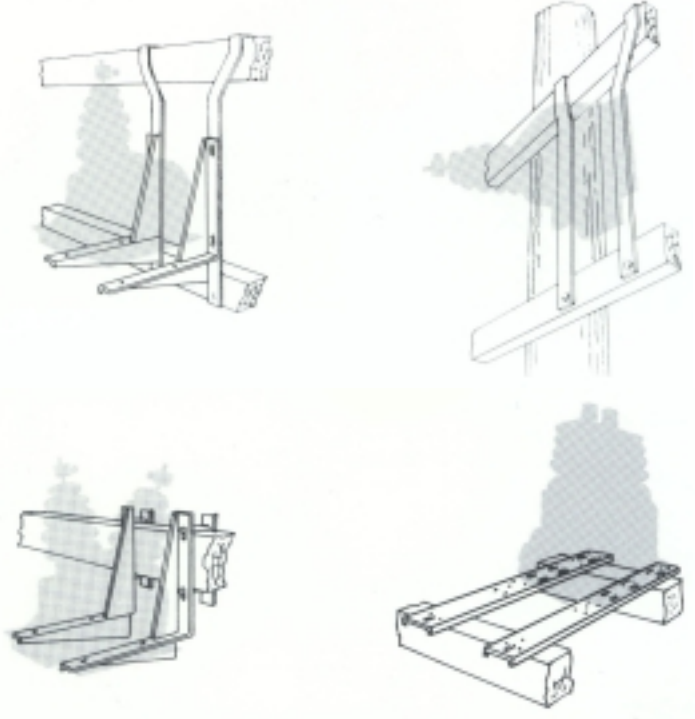
Ratings

- ANSI metering accuracy class (60 Hertz):
 - ⇒ 0.3 W, X, M, Y, and 0.6Z burdens at 120.0 volts
 - ⇒ 0.3 W, X, and 0.6M burdens at 69.3 volts
- 1000 VA thermal at 30°C ambient

Dimensions



Mounting Methods



Approximate weight: 74 lbs.

Curves

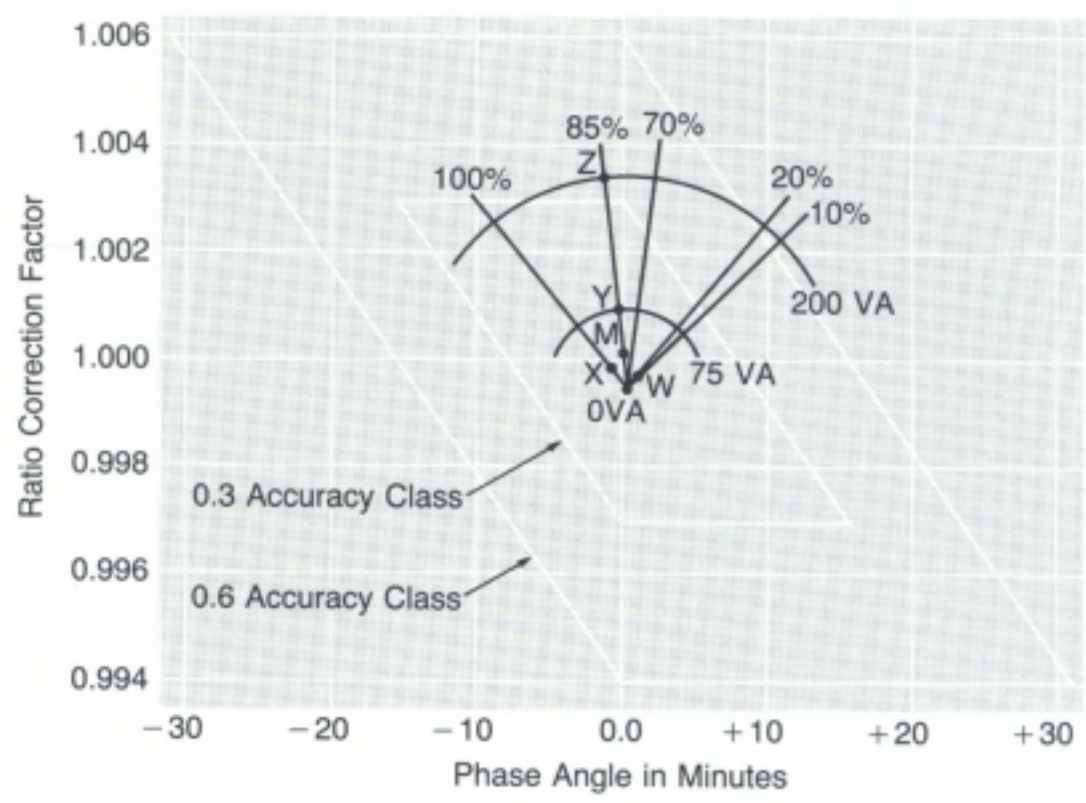


ABB Power Distribution
 655 Century Point
 Lake Mary, FL 32476
 Tel: + 1-800-929-7947
 Fax: + 1-407-732-2132
www.abb.com/distribution