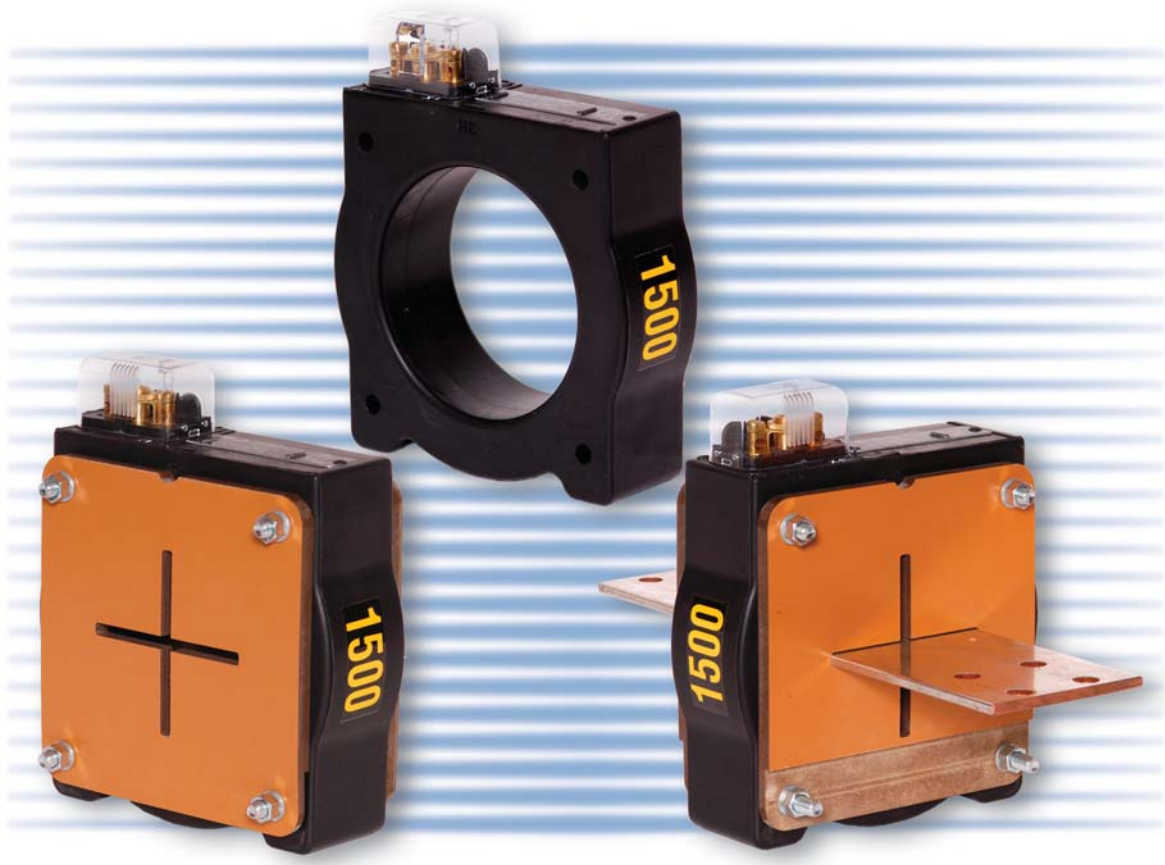


Type CLC Current Transformer

600 Volt, 10 kV BIL, Indoor or Outdoor

Product Bulletin 1VAP428241-DB



ABB

Product Features

- 600 Volt Indoor or Outdoor
- 10 kV BIL
- 25 through 60 Hertz
- Primary Amperes 600-4000
- 5.5" (140 mm) window opening
- Window plates and bar-types available
- UL Recognized Component, File No. E96461



UL Recognized Component

Application

The CLC is designed for high current metering on low voltage systems and is available in single or dual ratios. It can be used with un-insulated bus bar or cable up to 600 volts, or with insulated primary conductors at higher voltages.

Core and Coils

The ring-type core and fully distributed winding are assembled to a glass filled polypropylene window liner and injection molded in thermoplastic rubber.

Insulation

Thermoplastic rubber insulating material is permanently molded to the core and coil assembly, resulting in a compact unit with excellent mechanical, thermal, and dielectric characteristics.

Secondary Terminals and Shorting Device

Large compression-type secondary terminals are supplied with a short circuit device and a clear rectangular snap-on cover, suitable for locking with a meter seal. Terminals can also serve as a post-type connector by looping wire under the screw head.

Terminal Cover

A clear polycarbonate cover allows a visual check of connections. The cover is keyed to the shorting bar to ensure proper installation and can be sealed with a sealing wire.

Primary

A large 5.5" (140 mm) window allows for multiple primary conductors. Optional Micarta® window plates are available to change the window opening to a cruciform configuration for direct bus bar sleeve mounting.

Primary bar assemblies are available for converting the CLC to a bar type unit. These assemblies vary from a single-bar for currents up to 1500 amperes to a four-bar assembly for 4000 amperes.

Mounting

Optional four-piece mounting feet or one-piece bases are constructed of corrosion-resistant aluminum. The CLC may also be secured to a wall panel or bracket by using mounting holes in the transformer body.

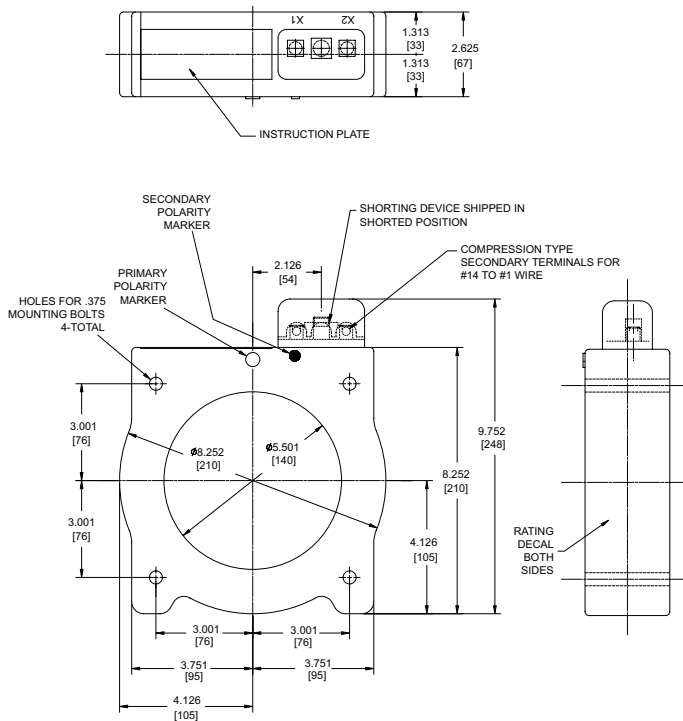
Test Reports

IEEE test reports are stored electronically and can be e-mailed in various formats at the time of shipment.

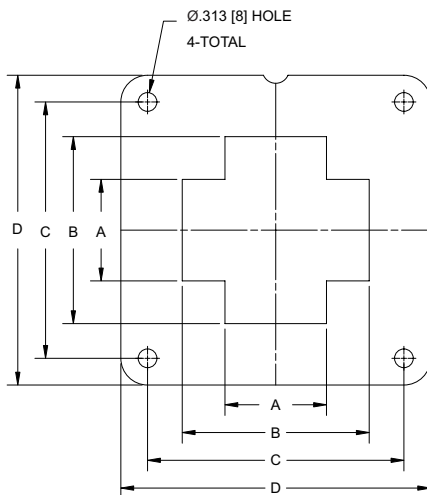
Standards

This unit meets all applicable IEEE and NEMA standards and is a UL Recognized Component.

Unit Dimensions



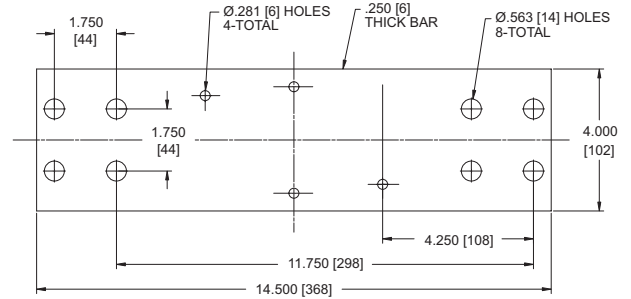
Window Plate



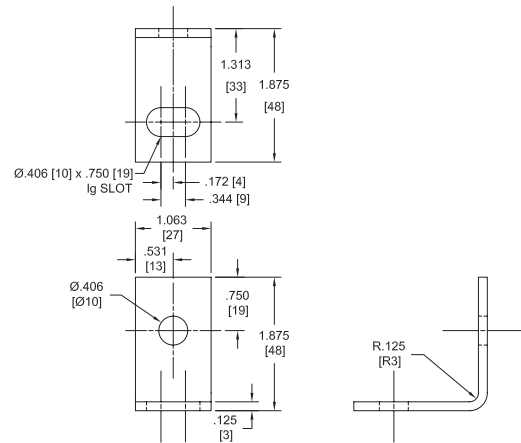
Window Plate Dimensions

| A | | B | | C | | D | | THK | |
|-------|------|-------|------|------|------|------|------|------|------|
| (in) | (mm) | (in) | (mm) | (in) | (mm) | (in) | (mm) | (in) | (mm) |
| 2.376 | 60 | 4.376 | 111 | 6.00 | 152 | 7.50 | 191 | .125 | 3 |

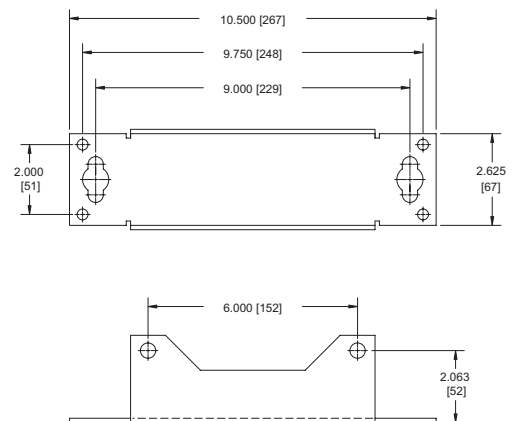
Bar Assembly



Four-piece Mounting Feet



One-piece Base



Note: Metric dimensions are displayed in [mm].

Selection Guide

| Primary Ampere Rating | Rating Factor | | IEEE Metering Accuracy | IEEE Relaying Accuracy | Style Number | | | |
|-----------------------|---------------|---------|------------------------|------------------------|------------------|--------------------------|----------------|---------------|
| | 30° C | 55° C | | | Without Hardware | Four-Piece Mounting Feet | One-Piece Base | Window Plates |
| 600 | 3.0 | 2.2 | 0.3B-0.5 | C30 | 7524A58G16 | 7524A59G16 | 7524A60G16 | 7524A61G16 |
| 800 | 2.0 | 1.5 | 0.3B-0.5 | C30 | 7524A58G01 | 7524A59G01 | 7524A60G01 | 7524A61G01 |
| 1000 | 2.0 | 1.5 | 0.3B-0.5 | C50 | 7524A58G02 | 7524A59G02 | 7524A60G02 | 7524A61G02 |
| 1200 | 2.0 | 1.5 | 0.3B-0.9 | C30 | 7524A58G03 | 7524A59G03 | 7524A60G03 | 7524A61G03 |
| 1500 | 3.0 | 2.2 | 0.3B-0.9 | C30 | 7524A58G04 | 7524A59G04 | 7524A60G04 | 7524A61G04 |
| 2000 | 2.0 | 1.5 | 0.3B-1.8 | C50 | 7524A58G05 | 7524A59G05 | 7524A60G05 | 7524A61G05 |
| 3000 | 1.5 | 1.2 | 0.3B-1.8 | C10 | 7524A58G06 | 7524A59G06 | 7524A60G06 | 7524A61G06 |
| 4000 | 1.33 | 1.0 | 0.3B-1.8 | - | 7524A58G07 | 7524A59G07 | 7524A60G07 | 7524A61G07 |
| 600/1200 | 3.0/2.0 | 2.2/1.5 | 0.3B-0.2 0.3B-0.9 | C10/C30 | 7524A58G08 | 7524A59G08 | 7524A60G08 | 7524A61G08 |
| 800/1600 | 3.0/2.0 | 2.2/1.5 | 0.3B-0.2 0.3B-1.8 | C30/C60 | 7524A58G09 | 7524A59G09 | 7524A60G09 | 7524A61G09 |
| 1000/2000 | 3.0/2.0 | 2.2/1.5 | 0.3B-0.5 0.3B-1.8 | C30/C50 | 7524A58G10 | 7524A59G10 | 7524A60G10 | 7524A61G10 |
| 1500/3000 | 2.0/1.5 | 1.5/1.2 | 0.3B-0.9 0.3B-1.8 | - /C10 | 7524A58G11 | 7524A59G11 | 7524A60G11 | 7524A61G11 |
| 2000/4000 | 2.0/1.33 | 1.5/1.0 | 0.3B-1.8 0.3B-1.8 | - | 7524A58G12 | 7524A59G12 | 7524A60G12 | 7524A61G12 |

Additional styles available upon request. Contact your ABB Sales Representative or call +1-252-827-3212 for more information.

Optional Accessories

- Mounting Feet (Set of 4 with Hardware) 9628A05G20
- One-Piece Base 9628A05G21
- Window Plate (one required) 9628A05G22
- Primary Bar Assemblies
 - 800-1500 amperes 1 Bar 9628A05G23
 - 2000 amperes 2 Bars 9628A05G24
 - 3000 amperes 3 Bars 9628A05G25
 - 4000 amperes 4 Bars 9628A05G26



ABB Inc.
 Highway 43 North
 Pinetops, NC 27864
 Tel: +1-252-827-3212
www.abb.com/mediumvoltage