

MEH Series Sectionalizing Enclosures

Single-Phase and Three-Phase



ABB MEH Sectionalizing Enclosures

ABB's MEH Sectionalizing Enclosures provide an economical and safe sectionalizing tap point for underground distribution systems. Available for use on single and three-phase systems rated 200 A or 600 A, 15 kV through 38 kV.

- Available in steel, stainless steel, aluminum or galvanized steel
- Durable finish - ABB Polymax coating system meets ANSI standard C57.12.28
- Standard paint color: Munsell 7GY3.29/1.5 dark green, with tan and gray available
- Secure fit around the cover opening to prevent wire intrusion
- Industry standard mounting hole pattern for easy installation
- Stainless steel penta head bolt, handle, padlock hasp and locking nut standard on all models to prevent corrosion
- Handle design prevents installation of padlock unless penta head bolt is fully seated
- Handle and lock mechanism hardware are easily replaceable with cover open
- Wind lock provisions standard on all models for increased safety
- Blind threaded lifting provisions
- ABB fiberglass ground sleeves are available for all sizes to provide additional termination height
- Units shipped completely assembled (four per pallet)
- Universal junction mounting plates fit all major brands for easy installation
- Standard mounting plate will accept 15 kV - 38 kV 2, 3, or 4 point junctions
- Optional parking stand locations and extra stands available
- Full width channelized rails for junction installation flexibility and added strength
- Ground nut provision for each phase for increased safety
- Fault indicator provisions available
- Optional junction mounting plates and multi-point junctions available
- RUS approved

MEH Materials

The MEH sectionalizing enclosure incorporates knowledge from years of experience in metals, plastics and paint coatings such as:

- steel
- galvanized steel
- aluminum
- stainless steel
- HDPE polymers
- powder paint
- plating
- anodizing

Steel

- Heavy-duty channelized construction for durability and impact resistance
- Body and cover are fabricated from 14 gauge steel
- Stainless steel padlock hasp and hinges to prevent corrosion
- 12 gauge steel available upon request



Galvanized / Polymer

- Galvanized 14 gauge steel body and cover
- High Density Polyethylene end panels meet weather ASTM D-822, chemical resistance ASTM D-543, and flammability Federal Motor Vehicle Standard 302-1999
- Munsell 7GY3.29/1.5 utility green
- Stainless steel piano hinge, rivets and carriage bolts to prevent corrosion
- Cover edges reinforced with aluminum anodized interlocking channels
- Blind thread lifting provisions for added strength, 1/2"-13 NC
- Body and cover panels available in aluminum or stainless steel



Aluminum

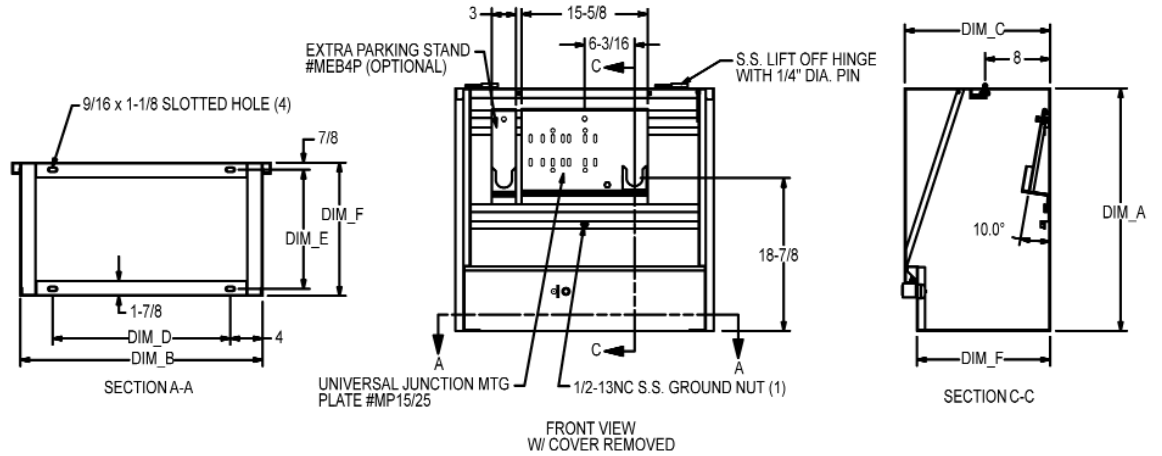
- Lightweight aluminum body and cover assures easy handling and installation
- Cover and body edges reinforced with channelized construction for added strength
- Enclosure fabricated from .090 aluminum
- Large three-phase fabricated from .125 aluminum
- Stainless steel hinges allow easy cover removal
- Meets ANSI C57.12.29 corrosion resistance standards to 3000+ hours salt spray



MEH Pad Layouts, Drawings and Dimensions

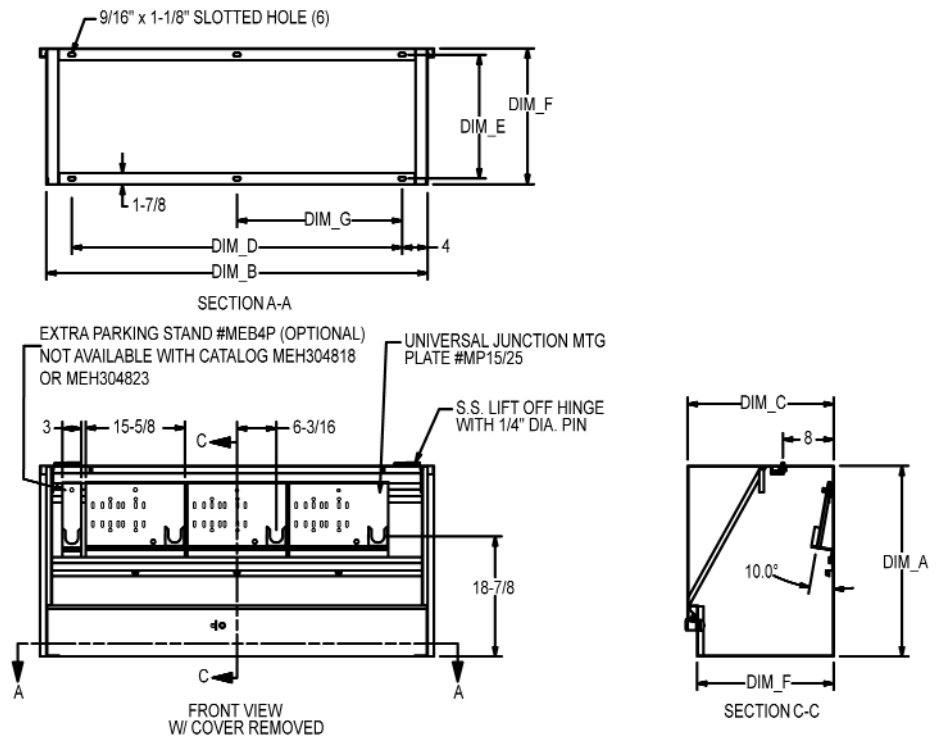
Single-Phase

Catalog Number	Dim. A	Dim. B	Dim. C	Dim. D	Dim. E	Dim. F	Dim. G
MEH302618	30.00	26.00	18.00	18.00	14 3/4	16 1/2	
MEH303018	30.00	30.00	18.00	22.00	14 3/4	16 1/2	
MEH303023	30.00	30.00	23.00	22.00	19 1/2	21 1/2	
MEH303623	30.00	36.00	23.00	28.00	19 1/2	21 1/2	



Three-Phase

Catalog Number	Dim. A	Dim. B	Dim. C	Dim. D	Dim. E	Dim. F	Dim. G
MEH304818	30.00	48.00	18.00	40.00	14 3/4	16 1/2	20.00
MEH306018	30.00	60.00	18.00	52.00	14 3/4	16 1/2	26.00
MEH304823	30.00	48.00	23.00	40.00	19 1/2	21 1/2	20.00

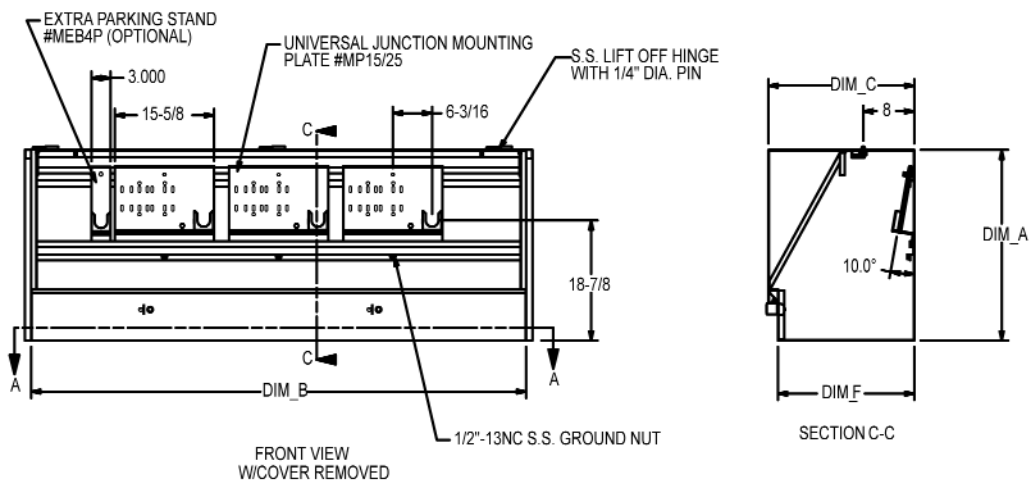
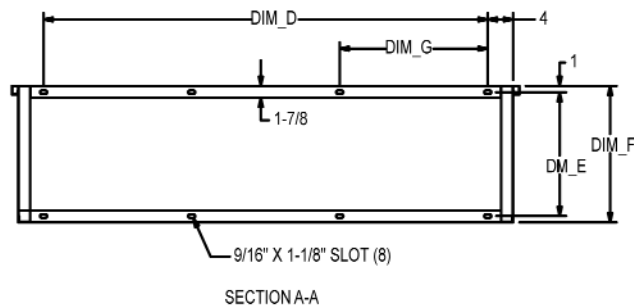


MEH Pad Layouts, Drawings and Dimensions



Large Three-Phase

Catalog Number	Dim. A	Dim. B	Dim. C	Dim. D	Dim. E	Dim. F	Dim. G
MEH306723	30.00	67.00	23.00	59.00	19.50	21.50	19.69
MEH308423	30.00	84.00	23.00	76.00	19.50	21.50	25.33



Universal Junction Mounting Plates

Features

- Designed for mounting a wide variety of load-break and deadbreak multi-point junction modules
- One standard MP15/25 mounting plate with one parking stand is provided for each phase in all enclosures
- Optional equipment includes extra parking stands and special mounting plates
- Mounting surface angled upward for easier hot-stick operation
- Factory installation of junctions available

Specifications

- Fabricated from rigid 14 gauge steel to minimize flexing when installing or removing elbow connectors
- Standard paint color green (gray available)
- Also available in stainless steel

Standard mounting plate will accommodate the following junctions:

Elastimold	200 A	2, 3 or 4* point	15, 25 & 35 kV
Elastimold	600 A	2 or 3 point	15, 25 & 35 kV
Cooper	200 A	2, 3 or 4* point	15 & 25 kV
Cooper	600 A	2 or 3 point	15 & 25 kV
Hubbell	200 A	2, 3 or 4* point	15 & 25 kV

*4 point bushings overhang left hand edge of mounting plate on 25 kV and 35 kV junctions.

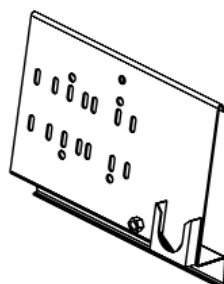
Note: U-straps are required for installing junctions on mounting plates. (Must be purchased with junctions from the manufacturer.)

Optional Mounting Plates and Parking Stands



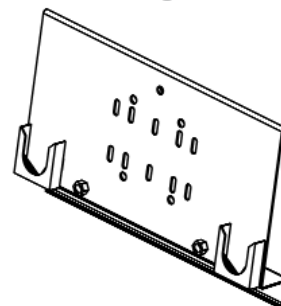
MEB4P

Extra parking stand plate used when more than one parking stand per phase is required.



MP15/25

Standard mounting plate



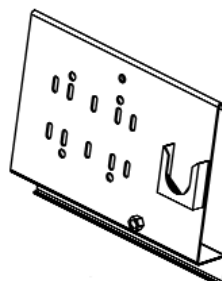
MP15/25-20

20" mounting plate with two parking stands can be used in place of standard mounting plate and extra parking stand when two parking stands per phase are required.

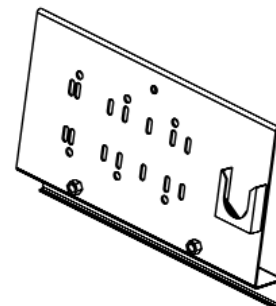
Available plates with parking stands center line with junction:



MEB4P-C



MP15/25-C



MP15/25-20C1

Also available with with two parking stands (MP15/25-20C2)

Style Guide

Digit #	1	2	3	4	5	6	7	8	9	10	11	12	13	14	15	16	17	18	19	20
Style #	M	E	H	3	0	3	0	1	8	M	S	A	G	2	1	4	0	0	0	0
Size																				
<i>Single-Phase</i>																				
30" h x 26" w x 18" d	M	E	H	3	0	2	6	1	8											
30" h x 30" w x 18" d	M	E	H	3	0	3	0	1	8											
30" h x 30" w x 23" d	M	E	H	3	0	3	0	2	3											
30" h x 36" w x 23" d	M	E	H	3	0	3	6	2	3											
<i>Three-Phase</i>																				
30" h x 48" w x 18" d	M	E	H	3	0	4	8	1	8											
30" h x 48" w x 23" d	M	E	H	3	0	4	8	2	3											
30" h x 60" w x 18" d	M	E	H	3	0	6	0	1	8											
30" h x 67" w x 23" d	M	E	H	3	0	6	7	2	3											
30" h x 84" w x 23" d	M	E	H	3	0	8	4	2	3											
Material																				
Mild Steel (standard)										M										
Galvanized / Polymer										G										
Aluminum										A										
Stainless Steel										S										
Color																				
Green-Munsell 7GY3.29/1.5 (standard)											S									
Grey-ANSI 70											G									
Tan-Munsell 10YR6.0/3.0											T									
Other											Z									
Junction Mounting Plate & Parking Stands																				
Offset parking stand - Standard MP15/25 mounting plate (1 plate per phase)											S									
Offset parking stand - Standard MP15/25 mounting plate plus 1 MEB4P extra parking stand ¹											A									
Offset parking stand - Standard MP15/25 mounting plate plus 2 MEB4P extra parking stands ¹											B									
Offset parking stand - Standard MP15/25 mounting plate plus 3 MEB4P extra parking stands ¹											C									
Offset parking stand - Special 20" MP15/25-20 mounting plate with 2 parking stands ²											D									
Centered parking stand - Enclosure provided w/MP15/25-C mounting plates w/1 parking stand on centerline											F									
Centered parking stand - Special MP15/25-C mounting plate plus 1 MEB4P-C extra parking stand ¹											G									
Centered parking stand - Special MP15/25-C mounting plate plus 2 MEB4P-C extra parking stands ¹											H									
Centered parking stand - Special MP15/25-C mounting plate plus 3 MEB4P-C extra parking stands ¹											K									
Centered parking stand - Special 20" MP15/25-20C1 with 1 parking stand on centerline ^{2,3}											M									
Centered parking stand - Special 20" MP15/25-20C2 with 2 parking stands on centerline ²											L									
Custom - Customer special mounting plate arrangement (specify)											Z									
Junctions																				
No Junctions (standard)																				N
Junctions furnished and installed by ABB																				J
Customer furnished junctions installed by ABB																				C
Current Rating																				
No Junctions installed (standard)																				0
200 A Junctions																				2
600 A Junctions																				6
Voltage Rating																				
No Junctions Installed (standard)																				0
15 kV Junction(s)																				1
25 kV Junction(s)																				2
35 kV Junction(s)																				3
Number of Junction Points																				
No Junctions Installed (standard)																				0
Two point junction per phase																				2
Three point junction per phase																				3
Four point junction per phase																				4
Five point junction per phase																				5
Six point junction per phase																				6
Drawing Number for Customer Specials																				
Standard																				0
Special - Call Factory for customer specific part number																				X

¹ Cannot be used in 48" wide enclosures

² Cannot be used in 48" or 60" wide enclosures

³ Required for four point 200 A 25 kV or four point 600 A



ABB Inc.
7580 Commerce Lane NE
PO Box 32660
Fridley, MN 55432
Tel +1 763-571-7758
Fax +1 763-571-7921
www.abb.com/padmounswitch