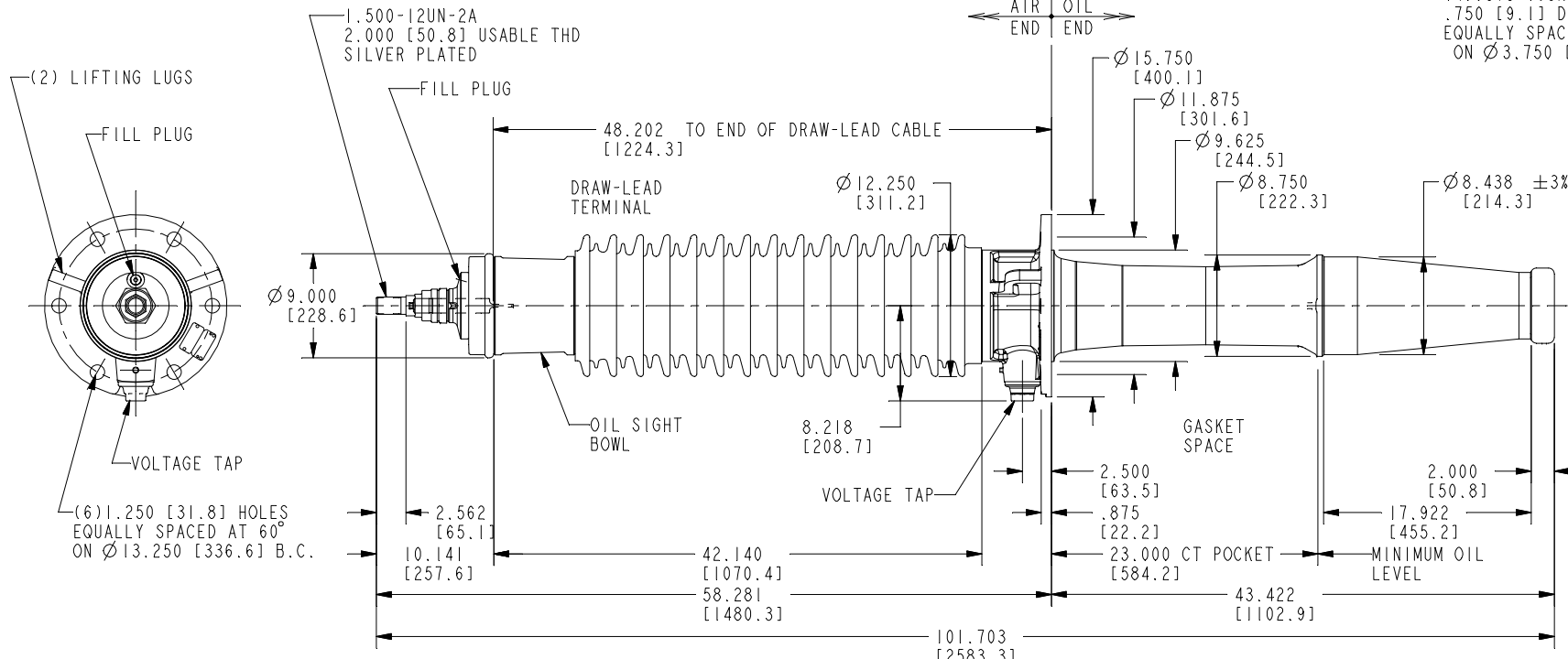
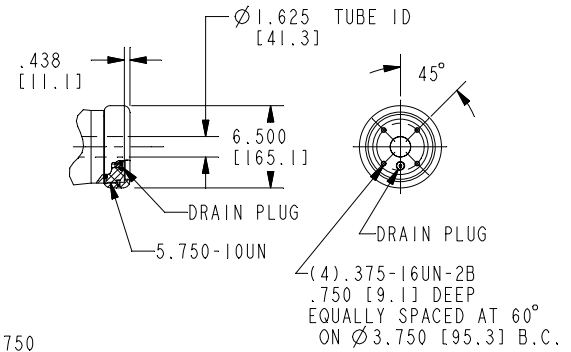


SPECIAL FEATURES: NONE

MAY BE CONVERTED TO INBOARD END CONNECTED BUSHING, STYLE 115W1216XK, BY CHANGING THE TOP ACCESSORIES AND BOTTOM SHIELD.



WE RESERVE ALL RIGHTS IN THIS DOCUMENT AND IN THE INFORMATION CONTAINED THEREIN. REPRODUCTION, USE OR DISCLOSURE TO THIRD PARTIES WITHOUT EXPRESS AUTHORITY IS STRICTLY FORBIDDEN. © ABB.

STYLE NO.	CATALOG NO.	OUTER INSULATING ENVELOPE COLOR	INSULATION CLASS kV	BASIC IMPULSE LEVEL kV	MAX. LINE TO GROUND VOLTAGE kV	CONNECTION METHOD AND CONTINUOUS CURRENT A @ 60Hz		MINIMUM CREEP DISTANCE in. / [mm]	MINIMUM ARCING DISTANCE in. / [mm]	MAXIMUM ALTITUDE ft / [m]	MOUNTING ANGLE FROM VERTICAL deg	APPROX. WEIGHT lb / [kg]	
						DRAW-LEAD	INBOARD END TRANS. O.C.B.						
115W0800XA	W11B440BB	GRAY	115	550	88	800	N/A	N/A	104.500 [2654]	42.140 [1070]	9650 [2941]	0 TO 60	355 [161.0]
115X0800XA	W11B440	BROWN											

NO.	REV.	DESCRIPTION
1	D-440543	REDRAWN ON CADD OLD OUTLINE P3946C185 NEW ISSUE
2	D-440543	REVISION 1 OLD OUTLINE SHOULD BE P3946C188 J.ARMIGER 11/11/98 H.R.McKIM 11/11/98
3		ACTIVE UPDATE NAMEPLATES; RELOCATED WAS 356 W.A.SHINER 1-05-00 H.McKIM 1/7/00
4		ACTIVE UPDATE FLANGE FROM SLOTS TO HOLES J.ARMIGER 06/01/00 H.McKIM 06/01/00

PRINTS TO:			ABB Inc. ALAMO, TN U.S.A.			
1	7	13	TITLE: TYPE O Plus C™, IEEE, CONDENSER BUSHING			
2	8	1A 14	RESP. DEPT.: BUSHINGS			P/E FILE KEY: L23 GEN ASM
3	9	15	DFTR: J.ARMIGER 25-Aug-98 UNITS = in. / [mm]			
4	10	2P 16 1A	CHKD: SCALE = 0.140			DRAWING NO: <b>T115W0800XA</b>
5	1A 11	17	APPD: H.R.McKIM 10/27/98 LANG. = ENGLISH			
6	12	18	REV.: 4			SHEET 1 OF 1
REF:						