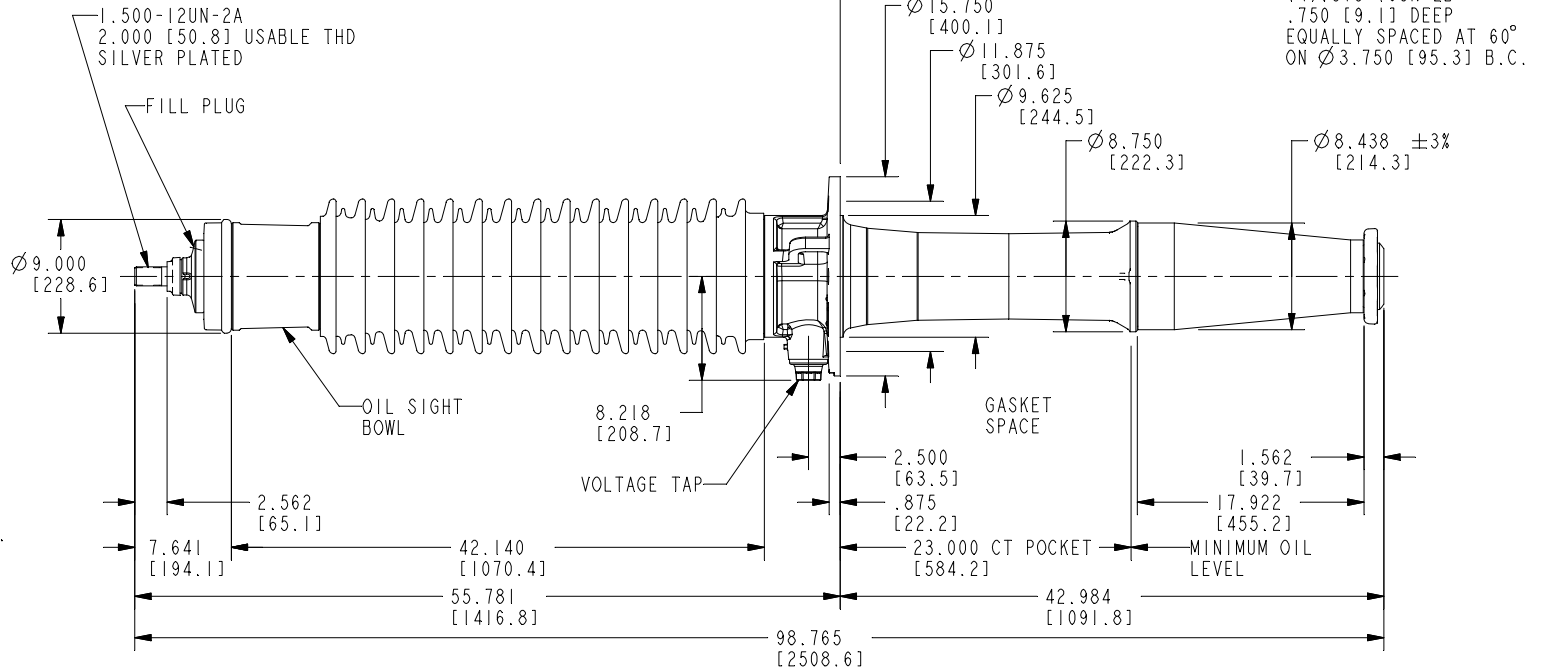
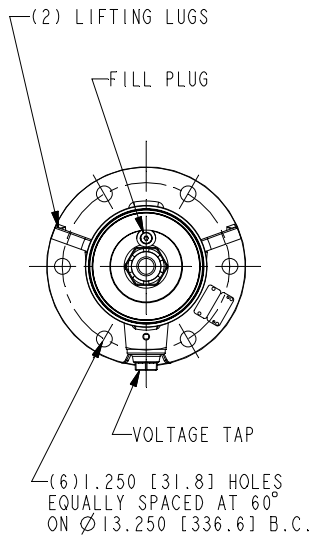


SPECIAL FEATURES: NONE

MAY BE CONVERTED TO DRAW LEAD CONNECTED BUSHING, STYLE 115W0800XA, BY CHANGING THE TOP ACCESSORIES AND BOTTOM RING.

WE RESERVE ALL RIGHTS IN THIS DOCUMENT AND IN THE INFORMATION CONTAINED THEREIN. REPRODUCTION, USE OR DISCLOSURE TO THIRD PARTIES WITHOUT EXPRESS AUTHORITY IS STRICTLY FORBIDDEN. © ABB.



STYLE NO.	CATALOG NO.	OUTER INSULATING ENVELOPE COLOR	INSULATION CLASS kV	BASIC IMPULSE LEVEL kV	MAX. LINE TO GROUND VOLTAGE kV	CONNECTION METHOD AND CONTINUOUS CURRENT A @ 60Hz		MINIMUM CREEP DISTANCE in. / [mm]	MINIMUM ARCING DISTANCE in. / [mm]	MAXIMUM ALTITUDE ft / [m]	MOUNTING ANGLE FROM VERTICAL deg	APPROX. WEIGHT lb / [kg]	
						DRAW-LEAD	INBOARD END TRANS. O.C.B.						
115W1216XK	W11B441BB	GRAY	115	550	88	N/A	1200	1600	104.500 [2654]	42.140 [1070]	9650 [2941]	0 TO 60	355 [161.0]
115X1216XK	W11B441	BROWN											

NO.	REV.	DESCRIPTION
1	D-4A0543	REDRAW ON CADD OLD OUTLINE P3946C185 NEW ISSUE
2	D-4A0543	REVISION 1 OLD OUTLINE SHOULD BE P3946C188 J.ARMIGER 11/11/98 H.R.McKIM 11/11/98
3	-ACTIVE-	RELOCATED NAMEPLATES. W.A.SHINER 1-06-00 H. McKIM 1/7/00
4	ACTIVE	UPDATE FLANGE FROM SLOTS TO HOLES J.ARMIGER 06/01/00 H. McKim 06/01/00

PRINTS TO:			ABB Inc. ALAMO, TN U.S.A.			 P/E FILE KEY: L23 GEN ASM
1	7	13	TITLE: TYPE O Plus C™, IEEE, CONDENSER BUSHING			
2	8	1A 14	RESP. DEPT.: BUSHINGS			DRAWING NO: T115W1216XK
3	9	15	DFTR: J.ARMIGER 15-Sep-98 UNITS = in. / [mm]			
4	10	2P 16 1A	CHKD:			SCALE = 0.140 LANG. = ENGLISH
5	1A 11	17	APPD: H.R.McKIM 11/27/98			
6	12	18	REV.: 4			SHEET 1 OF 1
REF:						